

REC PRO[®]

RP-AFRM

Non-Powered Awning
Installation Manual



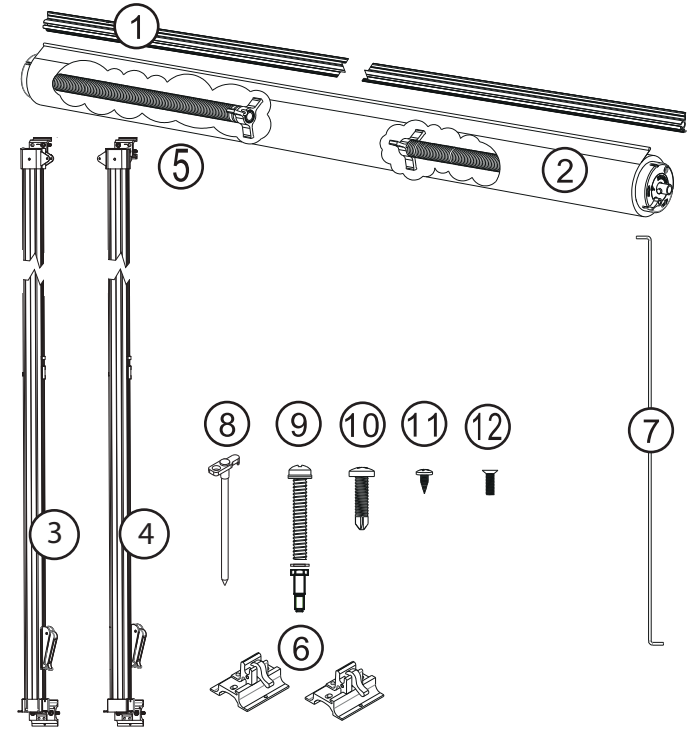
CONTENTS

Package Components.....	4
Preparation.....	5
Installation.....	6-11
Steps to Extend.....	12
Steps to Retract.....	14-15
Maintenance.....	16

! WARNING

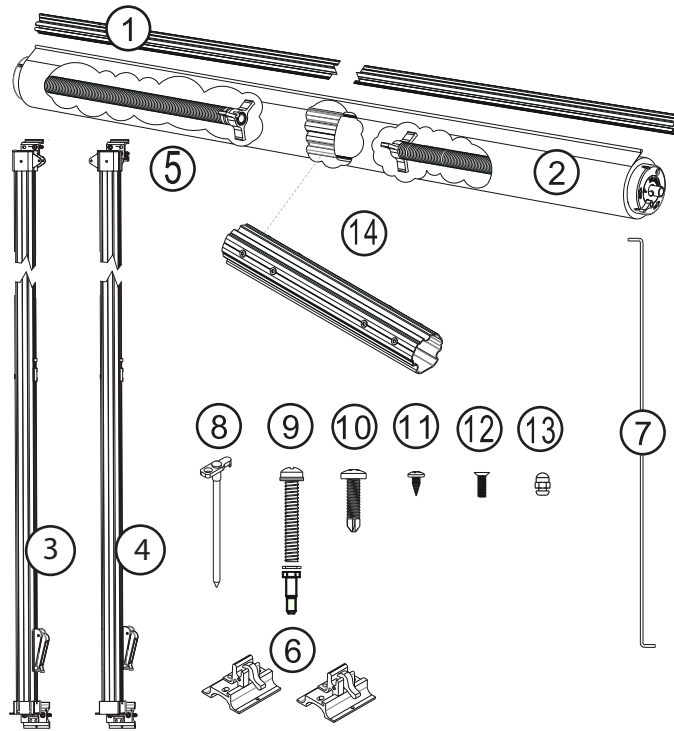
Please read and ensure you understand this manual before installing, adjusting, servicing, or maintaining the awning. This awning must be installed and serviced by a qualified RV technician. Please be sure to take good care of this manual for daily care and maintenance.

Parts & Components



<input type="checkbox"/>	ITEM	DESCRIPTION
<input type="checkbox"/>	1	Fabric sail track
<input type="checkbox"/>	2	Fabric roller
<input type="checkbox"/>	3	Frame set left arm
<input type="checkbox"/>	4	Frame set right arm
<input type="checkbox"/>	5	Upper mount bracket
<input type="checkbox"/>	6	Lower mount bracket
<input type="checkbox"/>	7	Pull rod
<input type="checkbox"/>	8	Peg
<input type="checkbox"/>	9	M6x45 and M6x60 self-tapping screw
<input type="checkbox"/>	10	04.2x32 Self-tapping screw
<input type="checkbox"/>	11	03.9x13 Self-tapping screw
<input type="checkbox"/>	12	Stop bolt

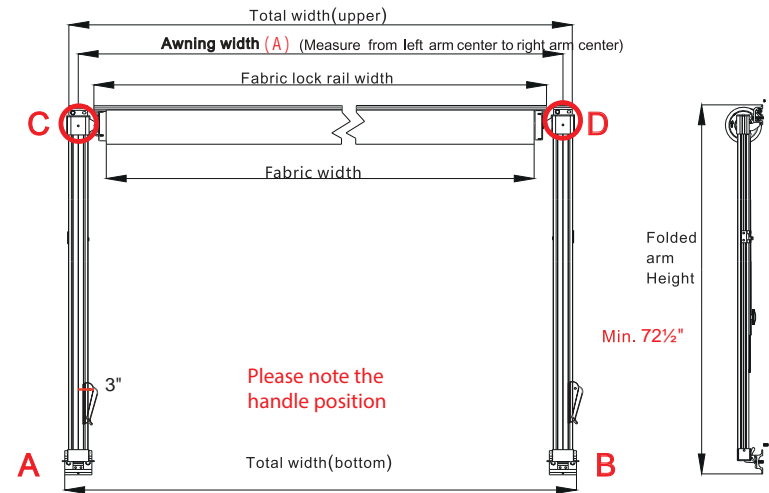
Package Contents



<input type="checkbox"/>	ITEM	DESCRIPTION
<input type="checkbox"/>	1	Fabric lock rail
<input type="checkbox"/>	2	Fabric roller
<input type="checkbox"/>	3	Left arm
<input type="checkbox"/>	4	Right arm
<input type="checkbox"/>	5	Upper bracket
<input type="checkbox"/>	6	Bottom bracket
<input type="checkbox"/>	7	Pull rod
<input type="checkbox"/>	8	Peg
<input type="checkbox"/>	9	M6x50 hex head screw
<input type="checkbox"/>	10	Φ4.2x35 Self-tapping screw
<input type="checkbox"/>	11	Φ3.9x13 Self-tapping screw
<input type="checkbox"/>	12	M6x16 screw
<input type="checkbox"/>	13	Set screw
<input type="checkbox"/>	14	Fabric roller connector

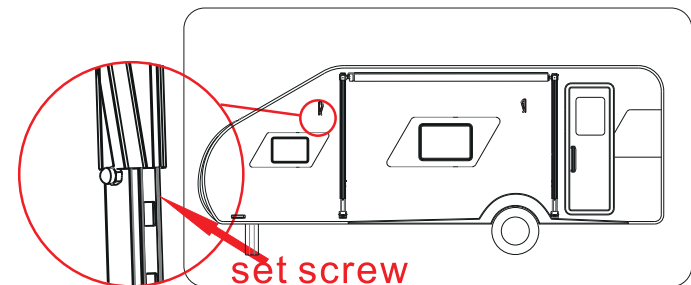
Preparation

1. Open the package and check to make sure that all the parts and accessories are included.
2. Prepare your installation tools, including an electric drill, pliers, measuring tape, screwdriver, and pencil.
3. Using the below picture, note points A, B, C, and D. These points will need to be fixed directly to the RV. Reference the measurement chart below to calculate and measure the right installation points. Mark these with the pencil.



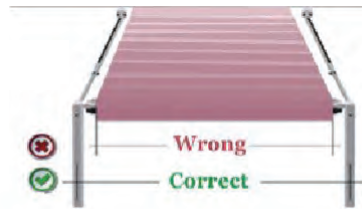
ATTENTION

Our awning minimum folded arm height is 6 feet. If your RV needs a larger height, extend the arm to suit your measurements. Then, lock the position with the screw set. If you need a smaller size, the arms can be cut down to 5 feet by removing the top cap on the arms and cutting down to the required height.



Measurement position sheet													Unit:ft/in	
Awning Width (A)	8'	9'	10'	11'	12'	13'	14'	15'	16'	17'	18'	19'	20'	21'
Total Width (Upper)	A+3"													
Fabric lock Width	A-5 $\frac{1}{8}$ "													
Fabric Width	A-9 $\frac{1}{64}$ "													
Total Width (Bottom)	A+2 $\frac{23}{64}$ "													
Folded arm Height	72 $\frac{7}{16}$ "													
Extension (Max.)	8'													

A=represents awning width.
 (Measure from left arm center to right arm center.)
 Please check above measurement sheet carefully and calculate the correct installation position accordingly.



Installation

Step 1 Find the awning brackets (2pcs bottom brackets & 2pcs upper brackets, already fixed on the arm) and two arms. See package content part 5 and 6.

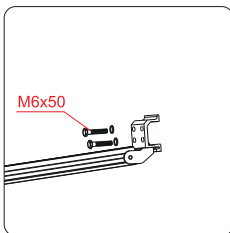
Step 2 Drill the holes for points A, B, and C, according to your marked positions. (It is recommended to double check the measurements before drilling.)

Note: Do not mount D bracket until the last step.

ATTENTION

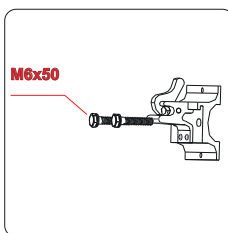
Please ensure all bracket positions are stable and DO NOT overlap with other parts of the RV, such as windows, doors, or other fixings.

Step 3



Attach the upper C position bracket with M6x50 screws.

Step 4



Attach the A and B position brackets with M6x50 screws.

Do not fix D bracket to RV

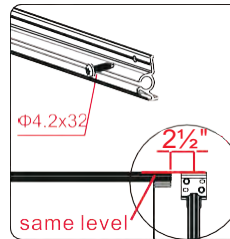


ATTENTION

Please ensure the arms are vertical to the ground and parallel to each other.

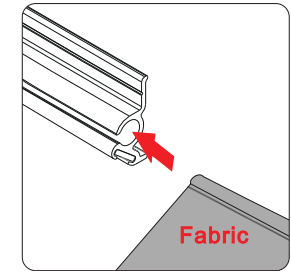
Step 5

Attach fabric lock rail.

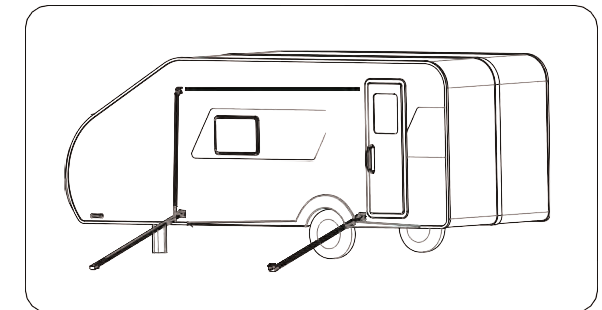


The fabric lock rail fits level with the two upper brackets. Make sure that it is even and level.

After you have completed the above step, the awning should look like the below picture.



Then slide the fabric into the fabric lock rail.

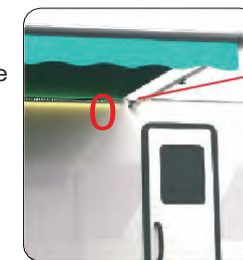


Optional Led Strip

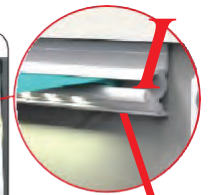
Install the LED strip

There is a groove for the Led Strip which is under the fabric groove on the fabric lock rail. You can slide your LED strip into it if you have one.

(Led strip does not come with the kit. If you need one, please contact our Customer Care team to order one)



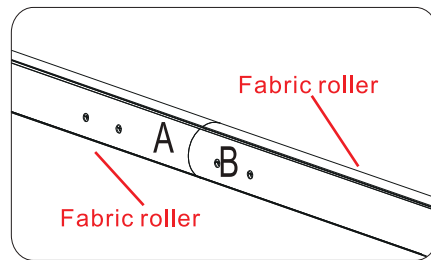
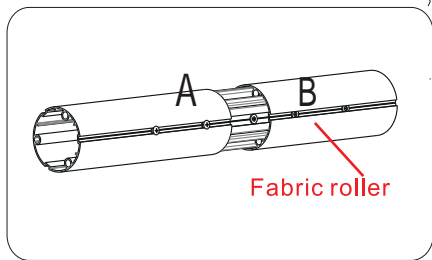
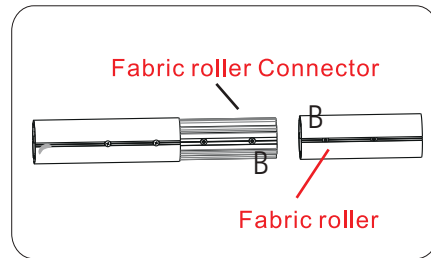
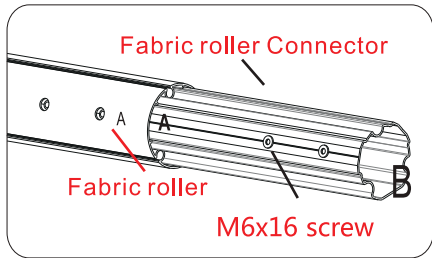
Fabric lock rail



Led strip groove

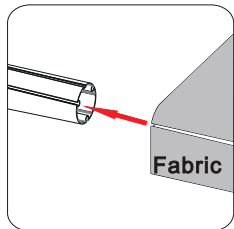
Step 6

Connect the fabric roller. Take out the roller connector from the tube, located in the left and right end caps. Then, connect the tube piece by piece. Align the holes then attach using the M6x16 screws.

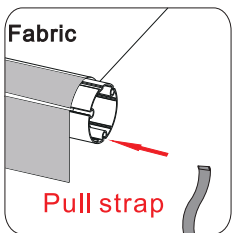


Step 7

Insert fabric into fabric tube.



1. Slide the poly tubes on the awning fabric into the two of three grooves on the fabric tube.



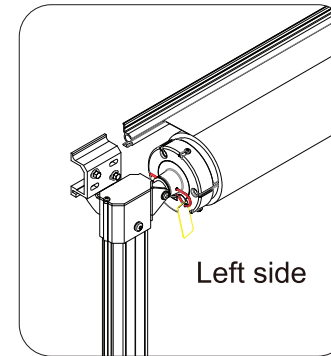
2. Insert awning pull handle into the last groove.

Connect Arms

Step 8

Connect the left arm.

- A. Tension is held with safety clip.
- B. Connect left roller arm insert and tighten.



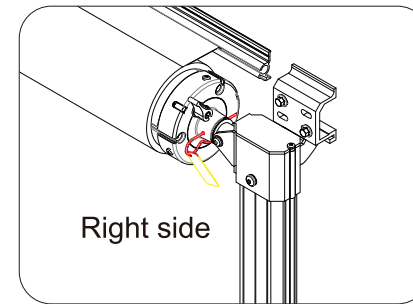
ATTENTION
The awning roller has been pre tensioned. Do not remove safety clip until fully installed.



Step 9

Connect the right arm.

- A. Tension is held with safety clip.
- B. Connect right roller arm insert and tighten.



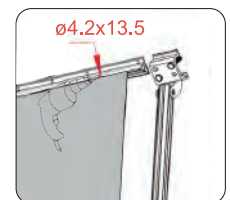
ATTENTION
The awning roller has been pre tensioned. Do not remove safety clip until fully installed.



Step 10

After rolling the awning up and checking that the left arm is folded up correctly, insert the fabric into the fabric lock rail. Secure using Unit 11 self-tapping screws on either side to prevent the fabric from moving and to keep the awning square. While folded up, you can now mark out and attach bracket D position on the RV.

Once complete, please check that the tension is sufficient and the frame set is secured well to the RV.



ATTENTION

To tension springs, awning must be in the extended position.

These fabric tubes come pre-tensioned, however, if the tension fails or is otherwise unsatisfactory, they can be re-tensioned.

To add tension to fabric tubes:

Remove fabric tube from both arms.

With the right side, use a screwdriver and insert it through the tension hole. Rotate the shaft 15 times around. There is an arrow in the direction of the needed rotation. This side has a ratcheting gear and clicks as it is being wound. After it has been rotated sufficiently, attach both arms onto the awning tube.

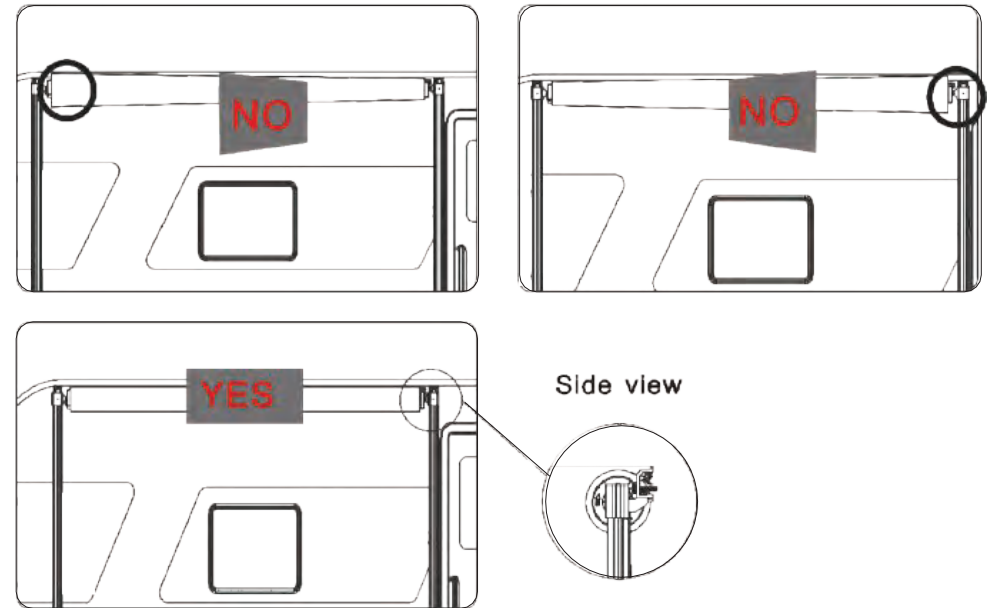
With the left side, use a screwdriver and insert it through the tension hole. Rotate the screwdriver 15 times around and once sufficiently tensioned, place the bolt in the arm connection hole to hold the tension.

NOTE: Be careful not to let go of the screwdriver while it is creating this tension. Doing so can cause injury.

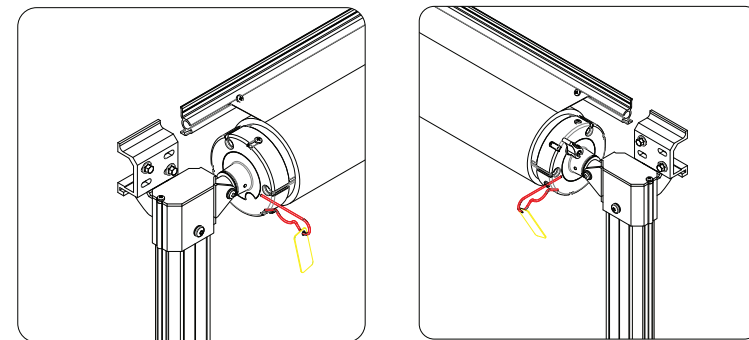
Once both arms are attached, the right side has been pre-tensioned once again and the left side has been tensioned, you should be ready to go once again.

ATTENTION

Once complete, please check that tension is sufficient and the frame set is secured to the RV



Step 11

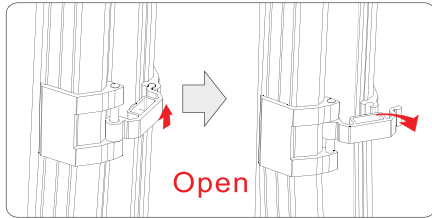


After you have confirmed that the awning is fixed well, please take out the R rings.

Steps for extending the awning

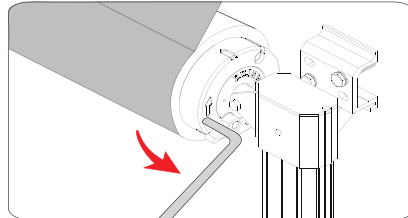
Step 1

Release the arm locks on each side.



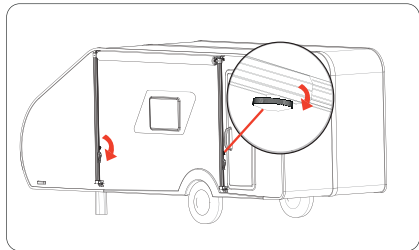
Step 2

Release the arm locks on each side. Switch down the spring lock on the fabric tube with pull rod.



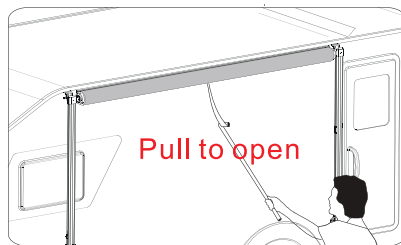
Step 3

Open the wheel-lock mechanism on the inside of the arms.



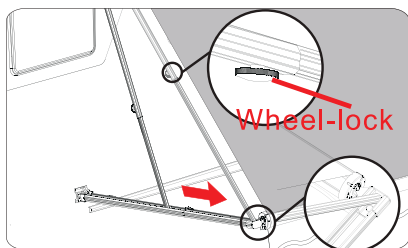
Step 4

Use the pull rod to reach pull strap. Use pull strap to extend awning fabric fully.



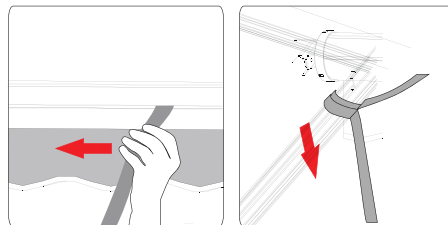
Step 5

Move the inner arms to the end of the extended arms. Tighten the wheel locks on each side once extended.



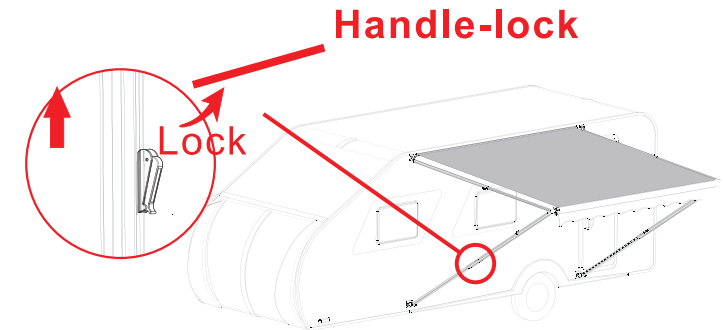
Step 6

Keep the pull strap tidy by pulling it on one end of the fabric-tube and wrapping the strap around the arm.



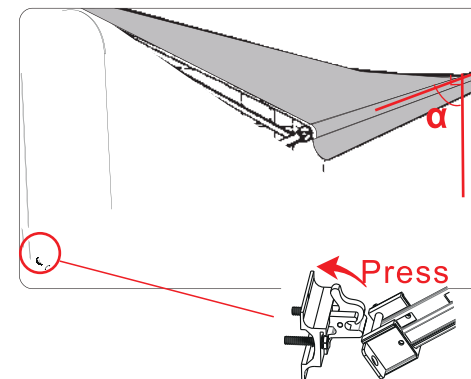
Step 7

Lift up the arms by opening the handle lock on the outer arms and stretching them as long as you would like (ranging from 6 feet to 9 1/2 feet).



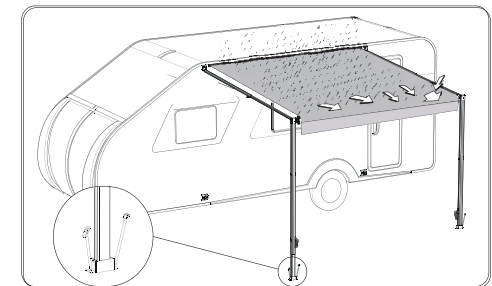
Step 8

(optional) Release the outer arms from the bottom brackets by pushing the lever at the bottom of the arms. Take care not to twist or stretch the fabric too much in doing so. Adjust to the necessary height and fix the arm locks. You can set the bottom of the arms in a 90-degree angle to the ground and secure with stakes.



Step 9

Secure the bottom plates of the arms with the steel pegs.

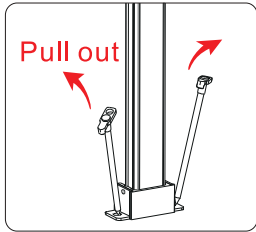


Outer arms/poles should allow the fabric to slant against the ground to let rainwater run down from the fabric.

Steps for retracting the awning

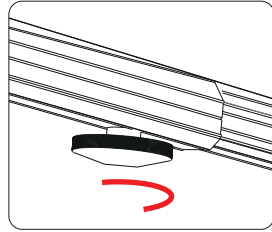
Step 1

Pull out the pegs from the bottom plate of the outer arms



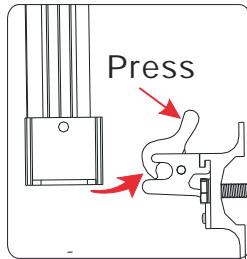
Step 2

Loosen the wheel lock on each arm.



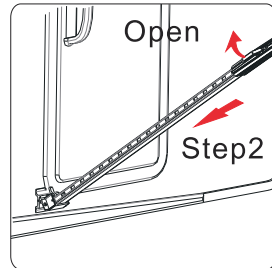
Step 3

Lift up the outer arms and put them back into their bottom brackets on the RV wall.



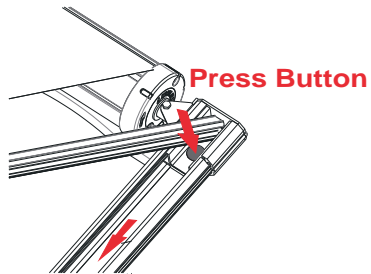
Step 4

Use the handle on each arm to shorten the arms back to their original length.



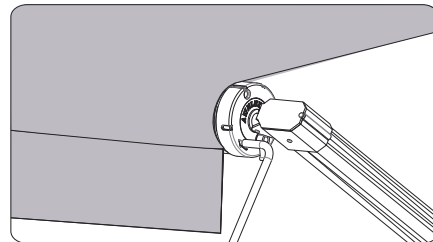
Step 5

Slide the inner arms back down to flush against the RV wall.



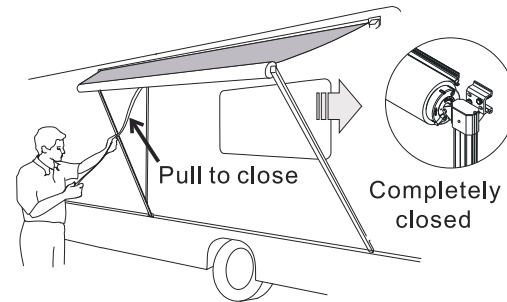
Step 6

Holding tension on the pull strap, turn up the safety spring lock on the fabric tube.



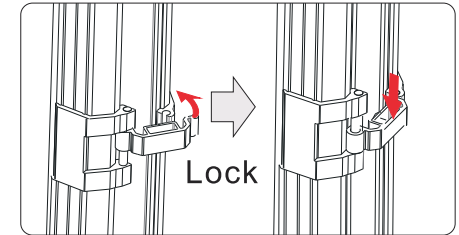
Step 7

Holding tension on the pull strap, turn up the safety spring lock on the fabric tube.



Step 8

Close the arm locks on both sides.



Awning care and maintenance

Regularly check if the awning fasteners are kept tight. If they are loose, tighten all fasteners. Periodically clean the awning fabric and arms.

To repair a pinhole or if a spot of coating flaked off from the top layer of vinyl fabric, apply a very small dab of vinyl liquid patch on the tip of a cotton swab. Gently roll the cotton swab around the pinhole. The vinyl liquid patch will melt the coating on the fabric and that will quickly fill in the pinhole and blend with all the colored vinyl around it. NEVER close the awning when vinyl liquid patch is wet. Otherwise, damage to other parts of the awning fabric will occur. Allow the vinyl liquid patch to dry thoroughly before rolling up the awning.

How to clean awning fabric

Monthly, flush off the awning fabric with clean water and thoroughly clean the fabric with a soft brush and warm water every one or two years.

Note: When you clean the fabric only use natural soap and clean water and make sure ALL of the cleaner is rinsed off after cleaning. Never use detergent, oil-based cleaners, or any caustic, granulate, or abrasive type cleaners.

DON'T roll up the awning until the fabric is completely dry.

How to clean awning arms

Regularly wash out the arm channels with a hose in case of dirt and debris, which can cause the arm channels not to slide as easily. It's also a good idea to lightly spray the inside of the channel with dry silicone lubricant.

Clean the arms periodically. This is the best way to keep the awning arms and braces operating smoothly.

After the arms have been cleaned and dried thoroughly, open the arm locks and spray with dry lubricant to prevent binding and locking.

ATTENTION

Failure to follow the following notices could result in damaged product or property or injury.

Precautions:

DO NOT use insecticides or other sprays near the awning fabric. These could cause stains and could adversely affect the fabric's ability to repel water.

DO NOT expose awning to adverse environmental conditions, corrosive agents, or other harmful conditions. In the event of high winds, storms, and other adverse weather conditions, roll up your awning to protect it from these conditions.

DO NOT allow the corner of the entry door to contact the awning fabric. This can cause premature wear or tearing of the fabric to occur.

NEVER close the awning for storage when wet. The combination of moisture and dirt could result in mildew, discoloration, and stains. If it is necessary to roll up the awning while it's wet, make sure you roll it out and let it dry as soon as possible before rolling up again.

DO NOT allow dirt, leaves, or other debris to accumulate on the awning, as this could cause abrasion and stains. Mildew could grow on dirt and organic debris, causing permanent discoloration, stains, and odors to awning fabric.

DO NOT use strong chemicals or abrasives to clean awning or awning assembly. To prevent damage to the surface of the protective layer, a neutral detergent can be used.

NEVER leave the awning open while traveling or moving your RV. Make sure ALL attachments are secure.

DO NOT expose the awning to the direct heat, such as a campfire.

Warranty Information

RecPro Awning Assemblies are covered under warranty for a period of 1 year and includes replacement or refunds for shipping or manufacturing errors. Shipping damage is covered for 30 days after receiving the product. Make sure to inspect the unit when it arrives for shipping damage. Damage from incorrect use or disregarding the above precautions is not covered under warranty.

