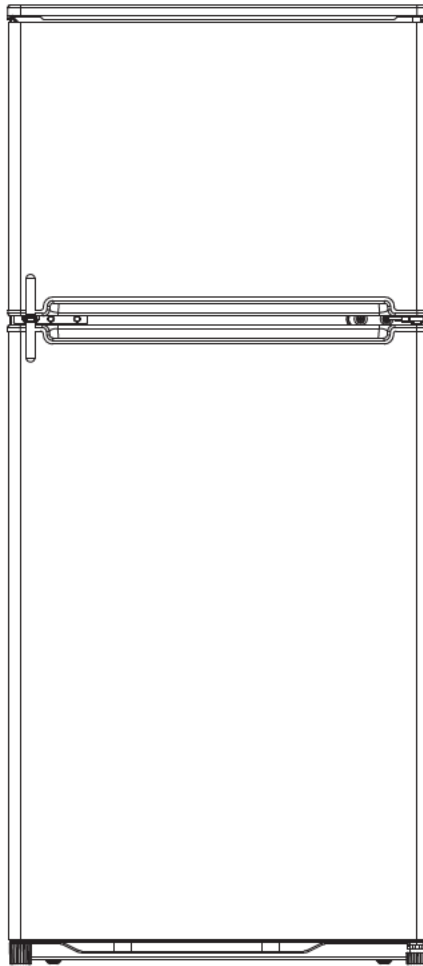


EVER❄️CHILL

4.3 CU. FT. TOP MOUNT REFRIGERATOR INSTRUCTION MANUAL

Model No.: WD-127FDC



To ensure proper use of this appliance and your safety, please read the following instructions completely before operating this appliance.

TABLE OF CONTENTS

| | |
|-------------------------------------|-----|
| FEATURES AND PARTS | 3 |
| IMPORTANT SAFETY INSTRUCTIONS..... | 4 |
| INSTALLATION INSTRUCTION | 4 |
| OPERATING YOUR REFRIGERATOR | 5-6 |
| FREEZER COMPARTMENT OPERATION | 6 |
| CARE & MAINTENANCE | 7 |
| INSTALLATION..... | 8 |
| TROUBLESHOOTING GUIDE..... | 9 |

Usage note

Do not remove the back panel during installation.

1. In order for normal use, the connection must be reliable. Besides the power source proper connection, the wire of the unit and outer wire must meet the following requirement:

| Wire size | The max length (Feet) |
|-----------|--------------------------------------------------------------------------------------------------------------------------------------------------------------------------------------|
| 14 AWG | 3.2 Feet |
| 13 AWG | 8 Feet |
| 12 AWG | 13 Feet |
| 10 AWG | 20 Feet |
| 8 AWG | 33 Feet |
| 6 AWG | 50 Feet |
| Remarks: | 14 AWG wire is not recommended. 13 AWG wire or Larger is recommended. This DC unit is not equipped with a power source. Please purchase a power source from an authorized dealer. |

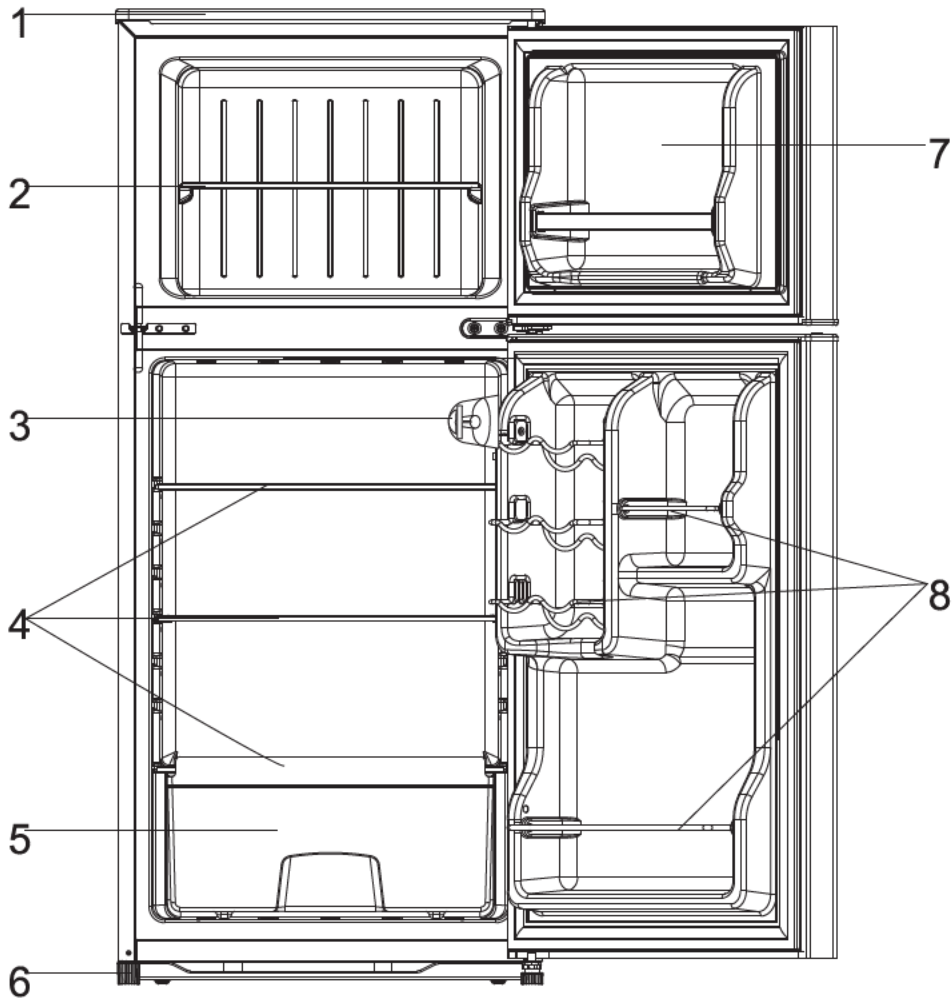
2. When using an adaptor or converter AC to DC, No DC power supply is recommended. The operation of the DC refrigerator is also dependent on a good, clean ground connections.
3. It is recommended that only authorized or qualified professionals perform repair services on unit.

Wire connection diagram



1. Connect ① terminal with Positive pole of 12V DC.
2. Connect ② terminal with Negative pole of 12V DC.
3. If the unit is installed in an RV, The ③ GND terminal should be connected to a metal portion of the RV.

FEATURES AND PARTS



1. Cabinet Tabletop; 2. freezer shelf; 3. Temperature Control Box;
4. Shelf, Refrigerator Section; 5. crisper; 6. Leveling Leg;
7. Door, Freezer Section; 8. Door, Refrigerator Section

Important Safety Instructions



WARNING

To reduce the risk of fire, electrical shock, or injury follow these basic precautions when using your refrigerator.

- **DANGER:** Risk of child entrapment. To avoid the possibility of child entrapment, please take the following precautions before you dispose of your refrigerator.
 - Remove all doors.
 - Leave shelves in place so children may not easily climb in.
 - Never allow children to play with, operate, or crawl inside the refrigerator.
- Do not store or use gasoline or any flammable vapors and liquids in the vicinity of this refrigerator.
- All refrigeration products contain refrigerants, which under the guidelines of federal law must be removed before disposal. It is the consumer's responsibility to comply with federal and local regulations when disposing of this product.
- This appliance is not intended for use by persons (including children) with reduced physical, sensory or mental capabilities, or lack of experience and knowledge, unless they have been given supervision or instruction concerning use of the appliance by a person responsible for their safety.
- Children should be supervised to ensure that they do not play with the appliance.

- WARNING: Keep ventilation openings, in the appliance enclosure or in the built-in structure, clear of obstruction.

- WARNING: Do not use mechanical devices or other means to accelerate the defrosting process, other than those recommended by the manufacturer.

- WARNING: Do not damage the refrigerant circuit

- WARNING: Do not use electrical appliances inside the food storage compartments of the appliance, unless they are of the type recommended by the manufacturer.

- WARNING: To avoid a hazard due to instability of the appliance, it must be fixed in accordance with the instructions.

This appliance is intended to be used in household and similar applications such as

- staff kitchen areas in shops, offices and other working environments;

- farm houses and by clients in hotels, motels and other residential type environments;

- bed and breakfast type environments;

- catering and similar non-retail applications.

Installation Instructions

Before Using Your Refrigerator

- Remove the exterior and interior packing.
- Before connecting the refrigerator to the power source, let it stand upright for approximately 4 hours. This will reduce the possibility of a malfunction in the cooling system from improper handling during transportation.
- Clean the interior surface with lukewarm water using a soft cloth. (Cleaning instructions on page 7)

Location

- This appliance is designed to be free standing only.
- Allow 1 inches clearance space between the back and sides of the refrigerator, which allows the proper air ventilation.
- **Avoid Installation:**
 - On weak surfaces unable to support refrigerator when fully loaded.
 - In direct sunlight and sources of heat (stove, heater, radiator, etc.) will hinder the performances of this appliance.

Installing Your Refrigerator

- Adjust the leveling feet to keep the refrigerator level.

Electrical Connection



Improper use of the grounded plug can result in the risk of electrical shock. If the power cord is damaged, have it replaced by an authorized service center.

This refrigerator should be properly grounded for your safety.

This refrigerator requires a standard 10.5-17V , electricity $\geq 15A$. Direct connection with AC power source is forbidden.

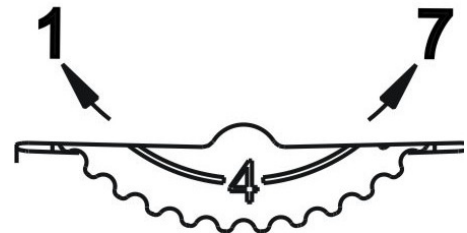
Do not connect this unit to an AC power soure.

To prevent accidental injury, the electrical cord should be secured behind the refrigerator, and not be left exposed or dangling.

Operating Your Refrigerator

Temperature Control

The temperature control is located inside the refrigerator compartment on the top. The refrigerator compartment temperature control ranges from “1”, cold setting, to “7”, coldest setting. The first time the unit is turned on, adjust the temperature control knob to a higher (colder) setting and run for at least 24 hours before readjusting the temeparture and placing food inside. This will ensure the cabinet is thoroughly chilled before food is placed into the refrigerator.



If you choose to change the thermostat setting, adjust the thermostat by one increment at a time. After each movement of the control knob, allow several hours for the unit to adjust completely. Large amounts of food may lower the cooling efficiency of the appliance.

NOTE

If the unit is unplugged or loses power; you must wait 3 to 5 minutes before restarting the unit. If you attempt to restart before this time delay, the refrigerator may not start.

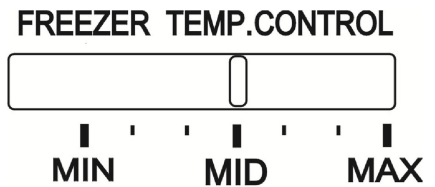
Replacing the Interior Light

Before removing the light bulb, turn the refrigerator temperature control to the “1” position. Replace the old bulb with a new bulb of the same wattage and size.

Freezer Compartment Operation

Temperature Control

Your refrigerator has one control for regulating the temperature in the freezer compartment. The freezer temperature control is located on the freezer compartment’s interior back panel. For the best performance, leave the freezer control at the midpoint and adjust the refrigerator compartment temperature control. Adjust the freezer control one increment at a time until the desired temperature is reached.



NOTE

Do not store canned foods or food stored in glass containers in the freezer compartment.

The Freezer Compartment

This compartment is designed for the long-term storage of frozen food. The storage life of frozen foods varies and the recommended storage time should not be exceeded. Place frozen food into the freezer as quickly as possible after purchase. If there are instructions on the packet, carefully follow these instructions regarding storage times.

Care and Maintenance

Cleaning Your Refrigerator

- Clean interior and parts with a cloth soaked in lukewarm water and baking soda solution. A solution of 2 tablespoons baking soda to a quart of water will clean and neutralize odors. Rinse and wipe dry.
- Be sure to keep the door gasket (seal) clean to keep the unit running efficiently.
- The outside of the refrigerator should be cleaned with a warm damp cloth and mild detergent. Do not use harsh or abrasive cleaners.
- Never clean refrigerator parts with flammable fluids. The fumes can create a fire hazard.

Vacation Time

- For long vacations, remove all food.
- Clean the interior and leave doors open to avoid possible odor or mold formation.
- Use extreme caution in the case of children. The unit should not be accessible to child's play.

Moving Your Refrigerator

- Disconnect the power source.
- Remove all the food and securely tape down all loose items such as shelves, drawers, and doors.
- Be sure the refrigerator stays in the upright position during transportation.

Energy Saving Tips

- The refrigerator should be located in the coolest area of the room, away from heat producing appliances or heating ducts, and out of the direct sunlight.
- Let hot foods cool to room temperature before placing in the refrigerator.
- Be sure to wrap foods properly, and wipe containers dry before placing them in the refrigerator. This cuts down on frost build-up inside the refrigerator.
- Organize and label food to reduce door openings and extended searches

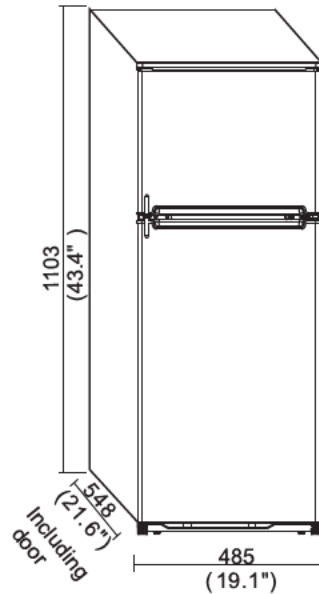
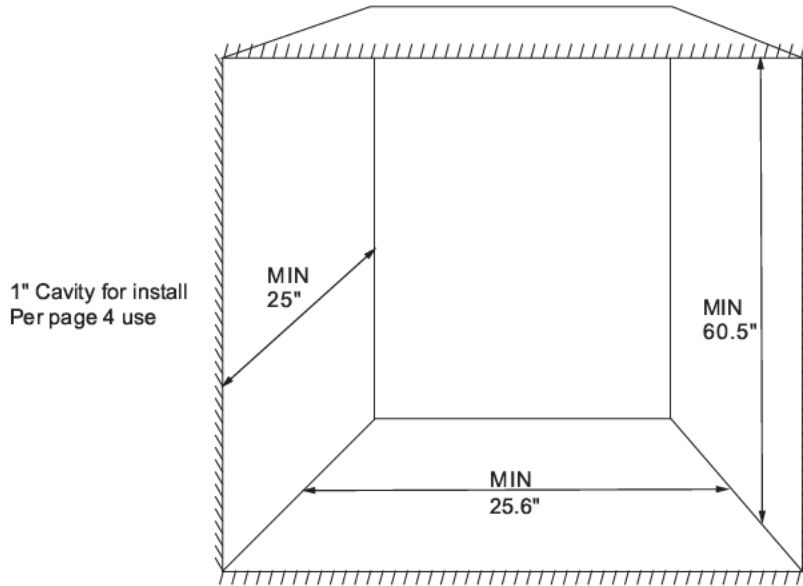
Installation

Install the refrigerator in a convenient location away from extreme heat and cold. Allow sufficient clearance between the refrigerator and side wall so the door(s) will open without obstruction. Refrigerator is not designed for recessed installation.

Select a space with strong level floor.

Allow 1 inches of space between the refrigerator's side and the wall.

The appliance must be correctly connected to the power supply.



- Note: The door should protrude at least 1" beyond the surrounding cabinets.

Troubleshooting Guide

You can solve many common refrigerator problems easily, saving you the cost of a possible service call. Try the suggestions below to see if you can solve the problem before calling for service.

| <i>Problem</i> | <i>Possible Causes</i> |
|-------------------------------------------------------------|-------------------------------------------------------------------------------------------------------------------------------------------------------------------------------------------------------------------------------------------------------------------------------------------------------------------------------------------------------------------------------------------------------------------------|
| Refrigerator does not operate | <ul style="list-style-type: none"> • Refrigerator is unplugged. • The circuit breaker is tripped/ fuse blown. |
| Compressor turns on and off | <ul style="list-style-type: none"> • The room temperature is warmer than normal • Door is left open or is frequently opened. • The refrigerator does not have the correct clearances. • The refrigerator has recently been disconnected for a period of time. |
| Refrigerator compartments are too warm | <ul style="list-style-type: none"> • Temperature control is not set correctly. • Door is left open or is frequently opened. • The door gasket does not seal properly. • A large amount of warm or hot food was stored recently. Wait for the refrigerator to reach its selected temperature. • The refrigerator has recently been disconnected for a period of time. |
| Vibrating or rattling (slight vibration is normal) | <ul style="list-style-type: none"> • Leveling legs need adjusting • Refrigerator is placed on an uneven or weak surface. • The refrigerator is touching the wall. Re-level the refrigerator and move it away from the wall. |
| Temperature of external refrigerator surface is warm | <ul style="list-style-type: none"> • The exterior refrigerator walls can be as much as 30°F warmer than room temperature. • This is normal while the compressor works to transfer heat from inside the refrigerator cabinet. |
| Moisture collects inside the refrigerator | <ul style="list-style-type: none"> • Door is left open or is frequently opened. |
| Moisture forms on outside of refrigerator | <ul style="list-style-type: none"> • Is normal in hot and humid weather. Air carries moisture into the refrigerator when doors are opened. |
| Bubbling or gurgling sounds (like boiling water) | <ul style="list-style-type: none"> • This is the normal sound of refrigerant (used to cool refrigerator) circulating throughout the system. |
| Popping or cracking sounds when compressor comes on | <ul style="list-style-type: none"> • This is normal. Metal parts undergo expansion and contraction, like hot water pipes. The sound will level off or disappear as refrigerator runs. |
| The door will not close properly | <ul style="list-style-type: none"> • The refrigerator is not on a level surface. • The gasket is dirty. • The storage basket is out of position. |



WAY
Interglobal Network

3002 Coast Ct

Elkhart, IN 46514

574-971-4490